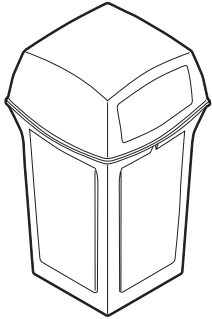
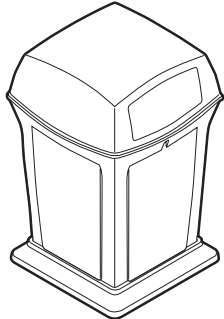




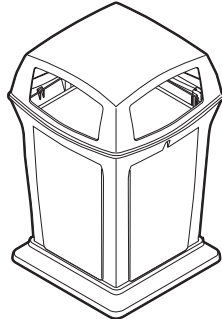
**Bolt-Down Instructions**  
**Instructions de boulonnage**  
**Instrucciones de sujeción con pernos**



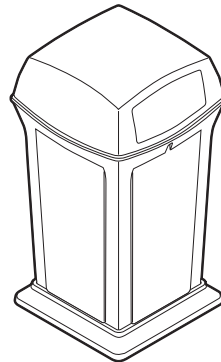
**8430-88**



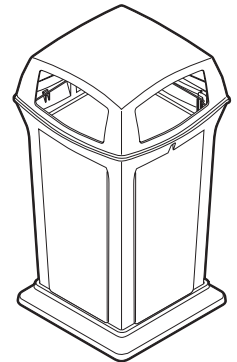
**9171-88**



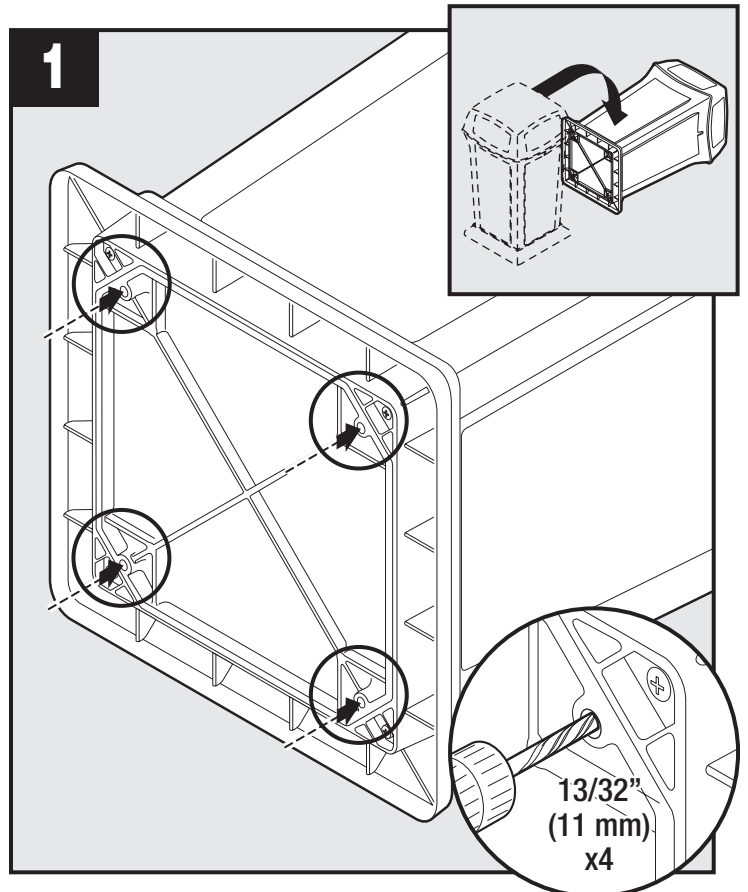
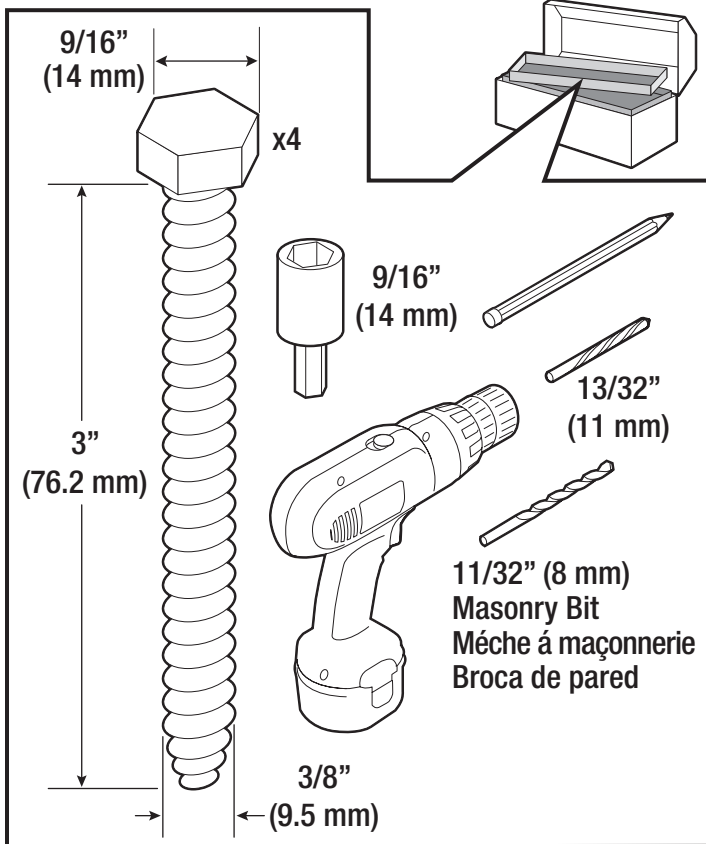
**9173-88**

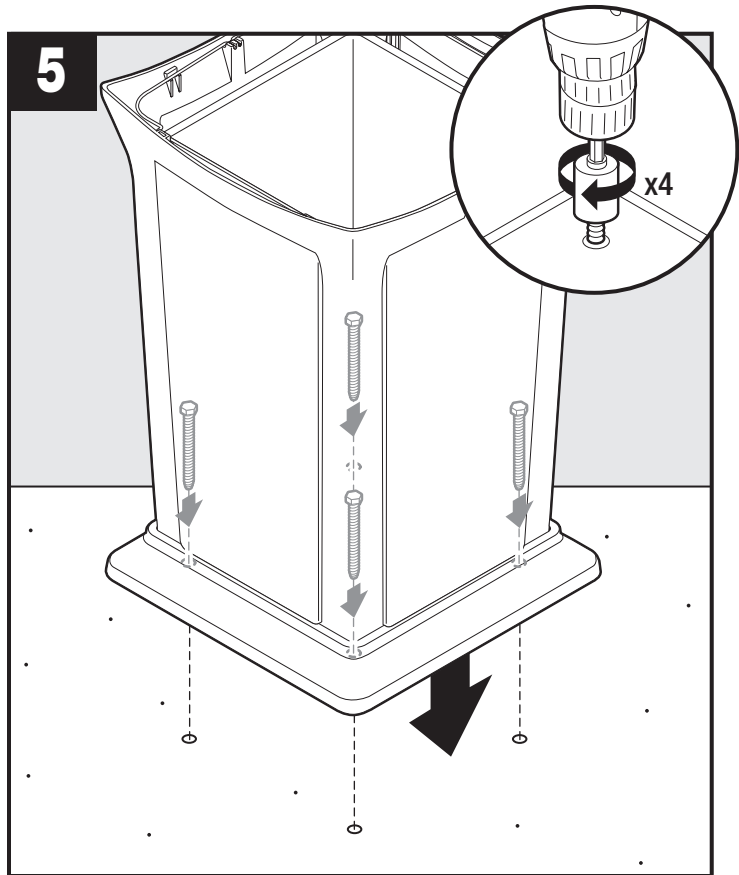
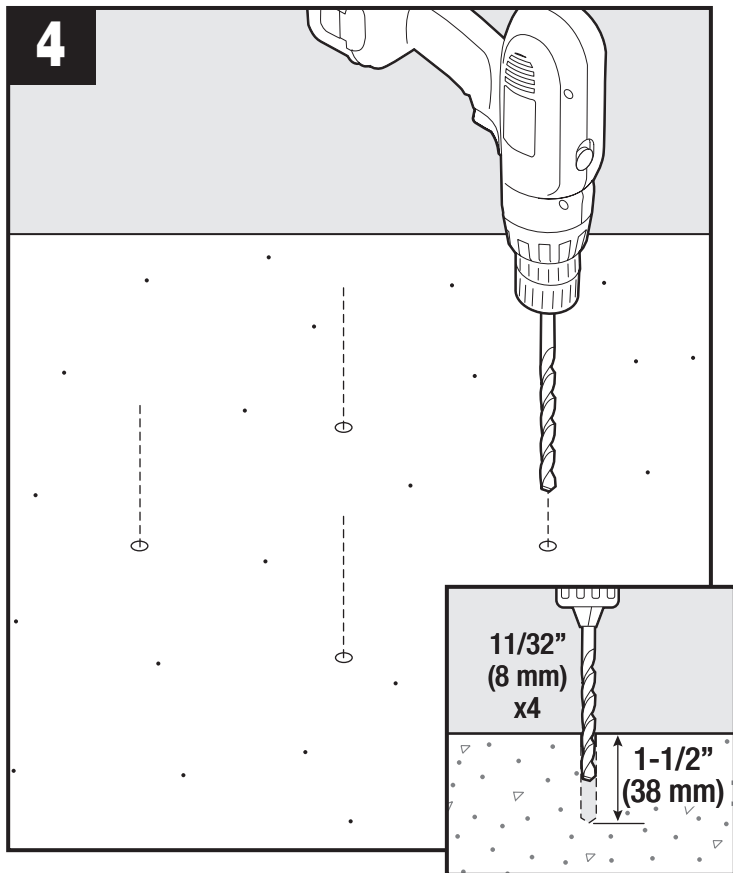
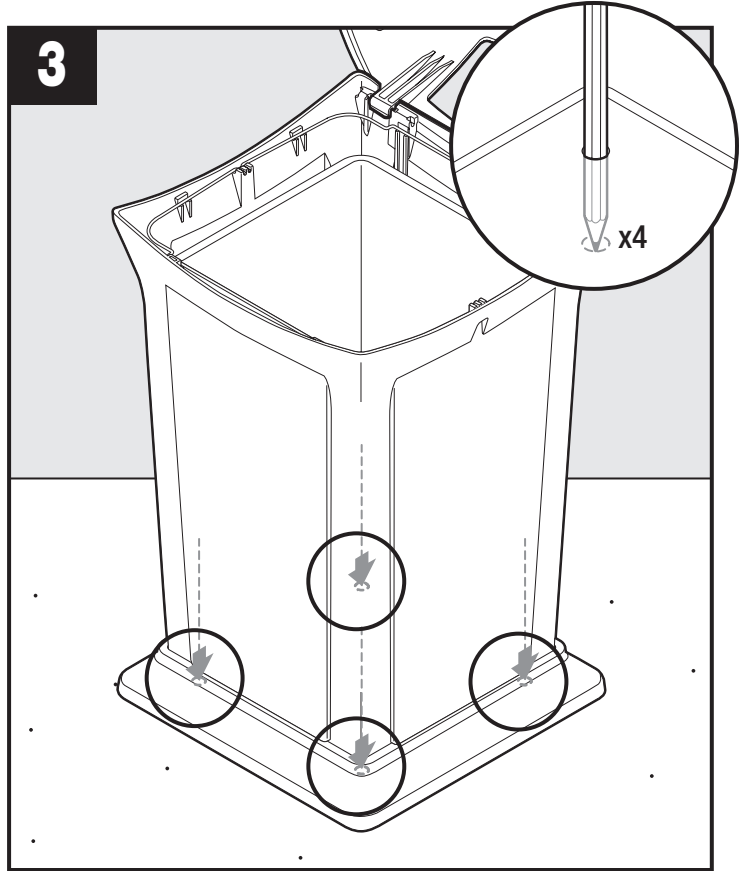
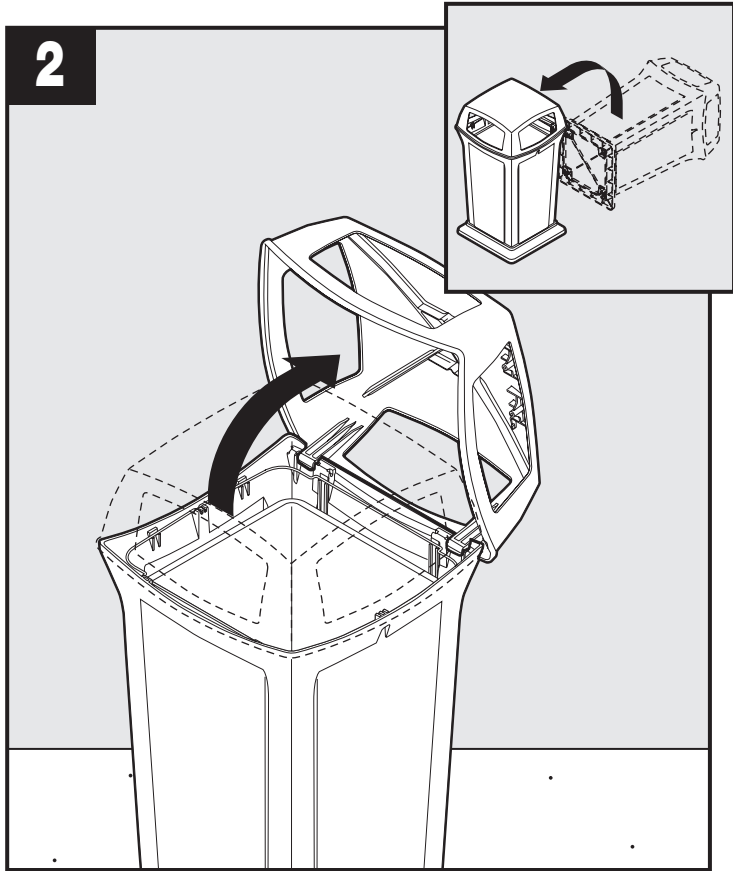


**9175**



**9176**





Products manufactured under quality management system registered to ISO 9001:2000  
 ©2006 Rubbermaid Commercial Products LLC  
 A **Newell Rubbermaid** Company  
 Printed in U.S.A.  
 Product # 8430-88, 9171-88, 9173-88, 9175, 9176



Rubbermaid Commercial Products LLC  
 3124 Valley Avenue  
 Winchester, VA 22601 U.S.A.  
 Phone: 540-667-8700  
 Fax: 540-542-8770  
 www.rubbermaidcommercial.com #70-9176-00